

FLOOR PLAN - LIGHTING
SCALE: 1/4" = 1'-0"

DRAWING NOTES (APPLY TO THIS DRAWING ONLY)

- CABINET EXHAUST FAN, 1φ-120 VOLTS, 0.58 FLA, FURNISHED AND INSTALLED BY H.C., FAN OPERATES ON/OFF WITH THE LIGHTS IN THE ROOM, POWER WIRING BY E.C.
- CABINET EXHAUST FAN, 1φ-120 VOLTS, 0.34 FLA, FURNISHED AND INSTALLED BY H.C., FAN OPERATES CONTINUOUSLY, POWER WIRING BY E.C.
- LIGHTING SWITCH FOR THE LIGHTS IN THE RECEPTION LOBBY LOCATED IN THE RECEPTION DESK AREA.
- LIGHTING SWITCH FOR THE LIGHTS IN THE NEW VESTIBULE LOCATED IN THE RECEPTION DESK AREA.
- SIGN, 1φ-120 VOLTS, FURNISHED AND INSTALLED BY OTHERS, POWER WIRING BY E.C., COORDINATE IN FIELD.
- E.C. TO VERIFY LIGHT FIXTURE CAN BE MOUNTED IN THIS LOCATION AND MAKE ADJUSTMENTS AS REQUIRED.

LIGHTING FIXTURE SCHEDULE

SYMBOL	QTY.	* MANUFACTURER *	CATALOG NO.	LAMPS	VOLTS	WATTAGE	MOUNTING	REMARKS
"A"	3 @ 12'-0"	FINELITE	H04-UD-RO-12"-B-B-940-F-OPN-120V-FA-OE-SC-C4-0BD	LED 4000K	120	82	PENDANT	LINEAR LED
"B"	14	LITHONIA	LDN6 40/10 L06AR LSS MVOLT EZ10	LED 4000K	120	12.8	RECESSED/CEILING	6" LED CAN
"C1"	3	LITHONIA	2BLT2 20L ADP EZ1 LP940	LED 4000K	120	20	RECESSED/CEILING	2'X2' LED
"C2"	7	LITHONIA	2BLT2 40L ADP EZ1 LP940	LED 4000K	120	39	RECESSED/CEILING	2'X2' LED
"D1"	1	LITHONIA	2BLT4 40L ADP EZ1 LP940	LED 4000K	120	34	RECESSED/CEILING	2'X4' LED
"D2"	8	LITHONIA	2BLT4 48L ADP EZ1 LP940	LED 4000K	120	45	RECESSED/CEILING	2'X4' LED
"D3"	6	LITHONIA	2BLT4 72L ADP EZ1 LP940	LED 4000K	120	67	RECESSED/CEILING	2'X4' LED
"E"	3	LITHONIA	FMVCL 24IN MVOLT 40K 90CRI	LED 4000K	120	18	SURFACE/WALL	2' VANITY LED
"F1"	6	LITHONIA	CDS L48 MVOLT DM 40K 90CRI WH	LED 4000K	120	38	SURFACE/CEILING	4'-0" LED STRIP PROVIDE HC36 IN MECHANICAL ROOM
"F2"	1	LITHONIA	CDS L24 MVOLT DM 40K 90CRI WH	LED 4000K	120	21	SURFACE/CEILING	2'-0" LED STRIP
"H1"	5	LITHONIA	DSXW1 LED 20C 700 40K T4M MVOLT	LED 4000K	120	47	SURFACE/WALL	EXTERIOR LIGHT
"H2"	2	LITHONIA	DSXW1 LED 10C 700 40K T2S MVOLT	LED 4000K	120	27	SURFACE/WALL	---
"H3"	1	LITHONIA	DSXW1 LED 10C 700 40K T3M MVOLT	LED 4000K	120	27	SURFACE/WALL	---
"H4"	1	LITHONIA	DSXW1 LED 10C S30 40K T3M MVOLT	LED 4000K	120	20	SURFACE/WALL	---
"J"	4	LITHONIA	LQM S W R 120	LED	120	5	UNIVERSAL	EXIT SIGN

* OR APPROVED EQUIVALENT.

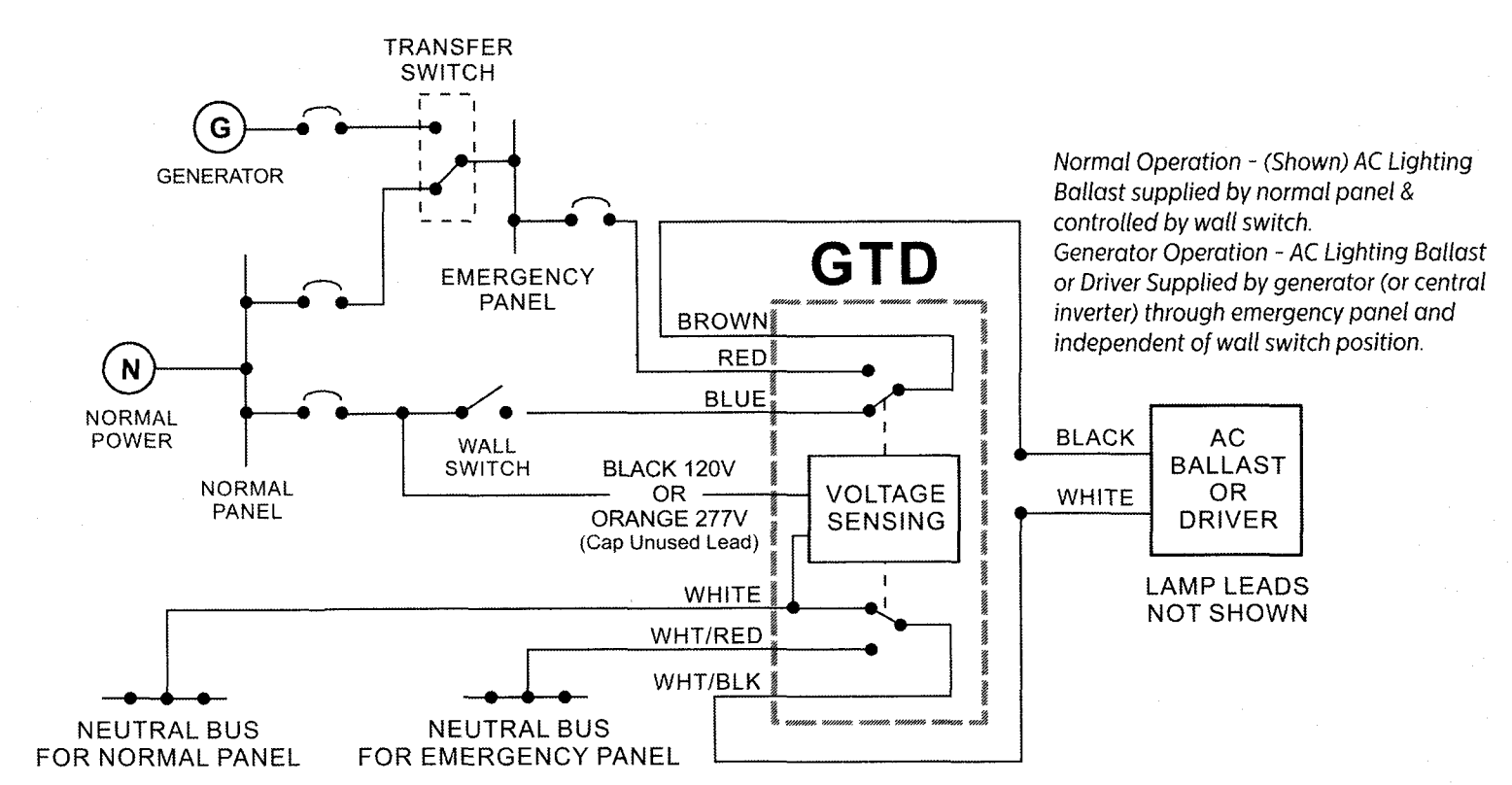
SENSOR SCHEDULE

SYMBOL	NO. OF CONTROL POLES	TYPE OF TECHNOLOGY	MOUNTING	SENSOR SWITCH * MODEL NO.
§	1	PASSIVE INFRARED	RECESSED/WALL	WSX
§PDT	1	PASSIVE INFRARED/MICROPHONICS/DIM.	RECESSED/WALL	WSX PDT D
OS ^{RP}	1	PASSIVE INFRARED	SURFACE/CEILING	CMR 9
OS ^{R10}	1	PASSIVE INFRARED	SURFACE/CEILING	CMR 10
PC ^{ADC}	1	PHOTOCELL/AUTO-DIMMING	SURFACE/CEILING	CMR PC ADC

* OR APPROVED EQUIVALENT.

OCCUPANCY SENSOR NOTES

- ALL CEILING MOUNTED OCCUPANCY SENSORS ARE LABELED WITH A LOWER-CASE LETTER THAT CORRESPONDS TO LOWER-CASE LETTERS LABELED NEXT TO THE FIXTURES THAT THE SENSORS CONTROL.
- ALL WAITING AREA LIGHTS TO DIM TO 50% OUTPUT WHEN NO OCCUPANCY IS SENSED IN THE TIME PERIOD SET, COORDINATE WITH OWNER.



PHILIPS BODINE GTD DETAIL
NO SCALE (OR APPROVED EQUIVALENT)

CALL BEFORE YOU DIG!
MARYLAND LAW REQUIRES 2 WORKING DAYS NOTICE FOR CONSTRUCTION PHASE AND 10 WORKING DAYS IN DESIGN STAGE-STOP CALL
One Call Systems International
CALL 1-800-257-7777
MISS UTILITY

FOR PRICING
THIS DRAWING IS FOR PRICING ONLY AND NOT TO BE USED FOR CONSTRUCTION

Seal
Date 2017-11-03

No.	Revisions	Date
AS NOTED		
NOVEMBER 2017		
Drawn by C.J.R.		
Checked by C.G.A./B.N.Y.		
Project No. 0541-15-456 (3480)		
File No. IBS4115456-A1.dwg		

CADSD ARCHITECTS INC.
WITH OFFICES IN:
ALTOONA, PA.
CLARION, PA.
JOHNSTOWN, PA.
PITTSBURGH, PA.
SOMERSET, PA.
CUMBERLAND, MD.

450 ABERDEEN DRIVE
SOMERSET, PA. 15501
Phone: 814-445-2470
Fax: 814-443-2748
www.cadsgroup.com

BUILDING RENOVATIONS FOR GROW WEST LLC DISPENSARY
1090 INDUSTRIAL BOULEVARDE
CUMBERLAND, MARYLAND 21502

FLOOR PLAN - LIGHTING

Drawing No. **E-1**

November 06, 2017 - 2:00pm Z:\Projects\2017\782P - Grow West Dispensary\Drawings\782-E1 rev1.dwg

FOR PRICING
THIS DRAWING IS FOR
PRICING ONLY AND IS
NOT TO BE USED FOR
CONSTRUCTION

Date 2017-11-03

Revisions

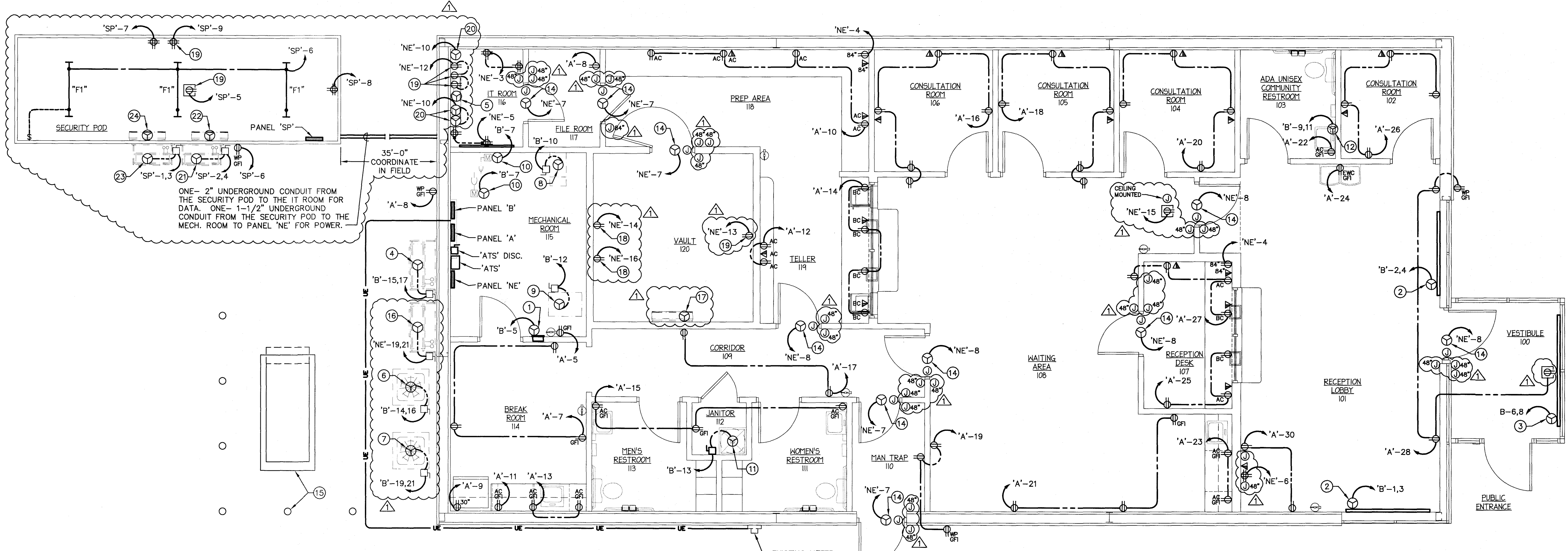
No.	Date	Description

Scale AS NOTED
Date NOVEMBER 2017
Drawn By C.J.R.
Checked By C.G.A./B.N.Y.
Project No. 0541-15-456 (0480)
File No. IB54115456-A1.dwg

EADS ARCHITECTS INC.
AN EBS GROUP COMPANY
450 ABERDEEN DRIVE
SOMERSET, PA. 15501
Phone: 814-445-2470
Fax: 814-443-2748
www.eadsgroup.com

BUILDING RENOVATIONS FOR
GROW WEST LLC DISPENSARY
1090 INDUSTRIAL BOULEVARDE
CUMBERLAND, MARYLAND 21502
FLOOR PLAN - POWER

Drawing No. **E-2**



ONE - 2" UNDERGROUND CONDUIT FROM THE SECURITY POD TO THE IT ROOM FOR DATA. ONE - 1-1/2" UNDERGROUND CONDUIT FROM THE SECURITY POD TO THE MECH. ROOM TO PANEL 'NE' FOR POWER.

IMPORTANT NOTE:
FOR JUNCTION BOX LOCATIONS AT DOORWAYS REFER TO SECURITY PLAN ON DRAWING E-4 FOR MORE INFORMATION.

FLOOR PLAN - POWER
SCALE: 1/4" = 1'-0"

DRAWING NOTES (APPLY TO THIS DRAWING ONLY)

- ELECTRIC WALL HEATER 1 (EWH-1), 1φ-120 VOLTS, 500 WATTS, 4.2 AMPS, FURNISHED, INSTALLED, AND POWER WIRING BY E.C.
- ELECTRIC DRAFT BARRIER 1 (EDB-1), 1φ-208 VOLTS, 2250 WATTS, FURNISHED, INSTALLED, AND POWER WIRING BY E.C.
- ELECTRIC DRAFT BARRIER 2 (EDB-2), 1φ-208 VOLTS, 3000 WATTS, FURNISHED, INSTALLED, AND POWER WIRING BY E.C.
- HEAT PUMP 1 (HP-1), 1φ-208 VOLTS, 12 MCA, 15 MOCP, AND DISCONNECT SWITCH FURNISHED AND INSTALLED BY H.C., POWER WIRING BY E.C., WIRE SIZE: 2 #12 AND 1 #12 GROUND IN 3/4" CONDUIT.
- FAN COIL 1 (FC-1), 1φ-208 VOLTS, 1.0 MCA, FURNISHED AND INSTALLED BY H.C., POWER WIRING BY E.C., UNIT TO BE POWERED THROUGH HEAT PUMP (HP-1), SEE ONE TO ONE HEAT PUMP WIRING DIAGRAM ON DRAWING E-3.
- REMOTE CONDENSING UNIT (RC-1), 1φ-208 VOLTS, 12.4 MCA, 20 MOCP, AND DISCONNECT SWITCH BY H.C., POWER WIRING BY E.C., WIRE SIZE: 2 #12 AND 1 #12 GROUND IN 3/4" CONDUIT.
- REMOTE CONDENSING UNIT (RC-2), 1φ-208 VOLTS, 21.1 MCA, 25 MOCP, AND DISCONNECT SWITCH BY H.C., POWER WIRING BY E.C., WIRE SIZE: 2 #10 AND 1 #10 GROUND IN 3/4" CONDUIT.
- FURNACE 1 (F-1), 1φ-120 VOLTS, 9.5 MCA, 15 MOCP, AND DISCONNECT SWITCH BY H.C., POWER WIRING BY E.C., WIRE SIZE: 2 #12 AND 1 #12 GROUND IN 3/4" CONDUIT.
- FURNACE 2 (F-2), 1φ-120 VOLTS, 17 MCA, 20 MOCP, AND DISCONNECT SWITCH BY H.C., POWER WIRING BY E.C., WIRE SIZE: 2 #12 AND 1 #12 GROUND IN 3/4" CONDUIT.
- MOTOR OPERATED DAMPER, FRACTIONAL HP, 1φ-120 VOLTS, FURNISHED AND INSTALLED BY H.C., POWER WIRING BY E.C.
- ELECTRIC WATER HEATER, 1φ-120 VOLTS, 2.5 KW, FURNISHED AND INSTALLED BY P.C., POWER WIRING AND DISCONNECT SWITCH BY E.C., WIRE SIZE: 2 #10 AND 1 #10 GROUND IN 3/4" CONDUIT.
- TANKLESS ELECTRIC WATER HEATER, 1φ-208 VOLTS, 20 AMPS, 4.1 KW, FURNISHED AND INSTALLED BY P.C., POWER WIRING BY E.C., WIRE SIZE: 2 #10 AND 1 #10 GROUND IN 3/4" CONDUIT.
- CIRCUIT BREAKER TO BE LOCKABLE IN THE OPEN POSITION AND THE MEANS MUST BE AN INTEGRAL PART OF THE CIRCUIT BREAKER OR BE AN ACCESSORY THAT IS NOT READILY REMOVED - PORTABLE LOCKING MECHANISMS THAT ARE INTENDED FOR TEMPORARY APPLICATION ARE NOT ACCEPTABLE. E.C. TO PROVIDE INDICATION AT THE WATER HEATER THAT DISCONNECTING MEANS IS CIRCUIT BREAKER 9,11 IN PANEL 'B'.
- ELECTRIC DOOR STRIKE, SEE DOOR SECURITY CONDUIT DETAIL ON DRAWING E-3 FOR MORE INFORMATION.
- NEW GENERATOR, PAD, AND BOLLARDS - SEE DRAWING E-3 FOR MORE INFORMATION.
- HEAT PUMP 2 (HP-2), 1φ-208 VOLTS, 11 MCA, 15 MOCP, AND DISCONNECT SWITCH FURNISHED AND INSTALLED BY H.C., POWER WIRING BY E.C., WIRE SIZE: 2 #12 AND 1 #12 GROUND IN 3/4" CONDUIT.
- FAN COIL 2 (FC-2), 1φ-208 VOLTS, 1.0 MCA, FURNISHED AND INSTALLED BY H.C., POWER WIRING BY E.C., UNIT TO BE POWERED THROUGH HEAT PUMP (HP-2), SEE ONE TO ONE HEAT PUMP WIRING DIAGRAM ON DRAWING E-3.
- REFRIGERATOR 1φ-120 VOLTS BY OTHERS, RECEPTACLE AND POWER WIRING BY E.C., COORDINATE EXACT LOCATION IN VAULT WITH OWNER.
- RECEPTACLE 1φ-120 VOLTS FOR SECURITY EQUIPMENT, COORDINATE EXACT LOCATION WITH SECURITY CONTRACTOR.
- SECURITY EQUIPMENT REQUIRING ELECTRICAL CONNECTION BY E.C. 1φ-120 VOLTS, COORDINATE EXACT LOCATION WITH SECURITY SUBCONTRACTOR.
- HEAT PUMP 3a (HP-3a), 1φ-208 VOLTS, 9 MCA, 15 MOCP, AND DISCONNECT SWITCH FURNISHED AND INSTALLED BY OTHERS, POWER WIRING BY E.C., WIRE SIZE: 2 #12 AND 1 #12 GROUND IN 3/4" CONDUIT.
- FAN COIL 3a (FC-3a), 1φ-208 VOLTS, 1.0 MCA, FURNISHED AND INSTALLED BY OTHERS, POWER WIRING BY E.C., UNIT TO BE POWERED THROUGH HEAT PUMP (HP-3a), SEE ONE TO ONE HEAT PUMP WIRING DIAGRAM ON DRAWING E-3.
- HEAT PUMP 3b (HP-3b), 1φ-208 VOLTS, 9 MCA, 15 MOCP, AND DISCONNECT SWITCH FURNISHED AND INSTALLED BY OTHERS, POWER WIRING BY E.C., WIRE SIZE: 2 #12 AND 1 #12 GROUND IN 3/4" CONDUIT.
- FAN COIL 3b (FC-3b), 1φ-208 VOLTS, 1.0 MCA, FURNISHED AND INSTALLED BY OTHERS, POWER WIRING BY E.C., UNIT TO BE POWERED THROUGH HEAT PUMP (HP-3b), SEE ONE TO ONE HEAT PUMP WIRING DIAGRAM ON DRAWING E-3.

PANEL 'A'
3φ-4W-120/208V, 100A M.C.B.

LOAD	BKR	#	#	BKR	LOAD
856	20/1	1	2	20/1	442
622	20/1	3	4	20/1	336
180	20/1	5	6	20/1	---
540	20/1	7	8	20/1	540
1200	20/1	9	10	20/1	720
180	20/1	11	12	20/1	360
360	20/1	13	14	20/1	720
540	20/1	15	16	20/1	900
360	20/1	17	18	20/1	900
540	20/1	19	20	20/1	720
540	20/1	21	22	20/1	180
360	20/1	23	24	20/1	445
540	20/1	25	26	20/1	720
720	20/1	27	28	20/1	720
1800	20/1	29	30	20/1	360
---	20/1	31	32	---	---
---	20/1	33	34	---	---
---	---	35	36	---	---
---	---	37	38	---	---
---	---	39	40	---	---
---	---	41	42	---	---

PANEL 'B'
3φ-4W-120/208V, 100A M.C.B.

LOAD	BKR	#	#	BKR	LOAD
1500	20	1	2	20	1125
1500	2	3	4	2	1125
500	20/1	5	6	20	1500
200	20/1	7	8	2	1500
2080	20	9	10	15/1	1140
2080	2	11	12	20/1	2040
2500	30/1	13	14	20	1290
1352	15	15	16	2	1290
1352	2	17	18	20/1	---
1633	25	19	20	20/1	---
1633	2	21	22	---	---
---	---	23	24	---	---
---	---	25	26	---	---
---	---	27	28	---	---
---	---	29	30	---	---

PANEL 'SP'
1φ-3W-120/208V, 100A M.C.B.

LOAD	BKR	#	#	BKR	LOAD
936	15	1	2	15	936
936	2	3	4	2	936
360	20/1	5	6	20/1	474
360	20/1	7	8	20/1	360
360	20/1	9	10	20/1	---
---	---	11	12	---	---
---	---	13	14	---	---
---	---	15	16	---	---

- LIGHTING - EMPLOYEE SPACES
- LIGHTING - WAITING AREA & CONSULT. RMS
- RECEPTACLE - MECH. ROOM
- RECEPTABLES - BREAK ROOM
- REFRIGERATOR
- GFI RECEPTACLE - KITCHENETTE
- GFI RECEPTABLES - KITCHENETTE
- GFI RECEPTABLES - RESTROOMS & JANITOR
- RECEPTABLES - CORRIDOR
- RECEPTABLES - WAIT. AREA, MAN TRAP & EXT.
- RECEPTABLES - WAITING AREA
- GFI RECEPTABLES - WAITING AREA (DRINK BAR)
- RECEPTABLES - RECEPTION DESK
- RECEPTABLES - RECEPTION DESK & WAITING AREA
- EXTERIOR SIGNAGE
- SPARE
- SPARE
- SPACE

ELECTRIC DRAFT BARRIER SCHEDULE

SYMBOL	KW	BTU	WATTS	ELECT. CHAR.	LENGTH	CONTROL	MFGR * MODEL NO.
EDB-1	2.25	7,679	2,250	1φ-208V.	6'-0"	UNIT MTD	QMARK DPH05A-6375
EDB-2	3.0	10,238	3,000	1φ-208V.	8'-0"	UNIT MTD	QMARK DPH05A-8375

NOTES:
1. MOUNT BOTTOM OF UNIT APPROX. 4" A.F.F.

ELECTRIC WALL HEATER SCHEDULE

SYMBOL	KW	BTU	ELECT. CHAR.	AMPS	CONTROL	MOUNTING	BASIS OF DESIGN*
WH-1	0.5	1,706	1φ-120V	4.2	UNIT MTD T'STAT.	WALL MTD. RECESSED	QMARK CWH1101DSF

* OR APPROVED EQUIVALENT.

November 06, 2017 - 11:46pm Z:\Projects\2017\17829 - Grow West Dispensary\Drawings\17829-E2.mxd.dwg