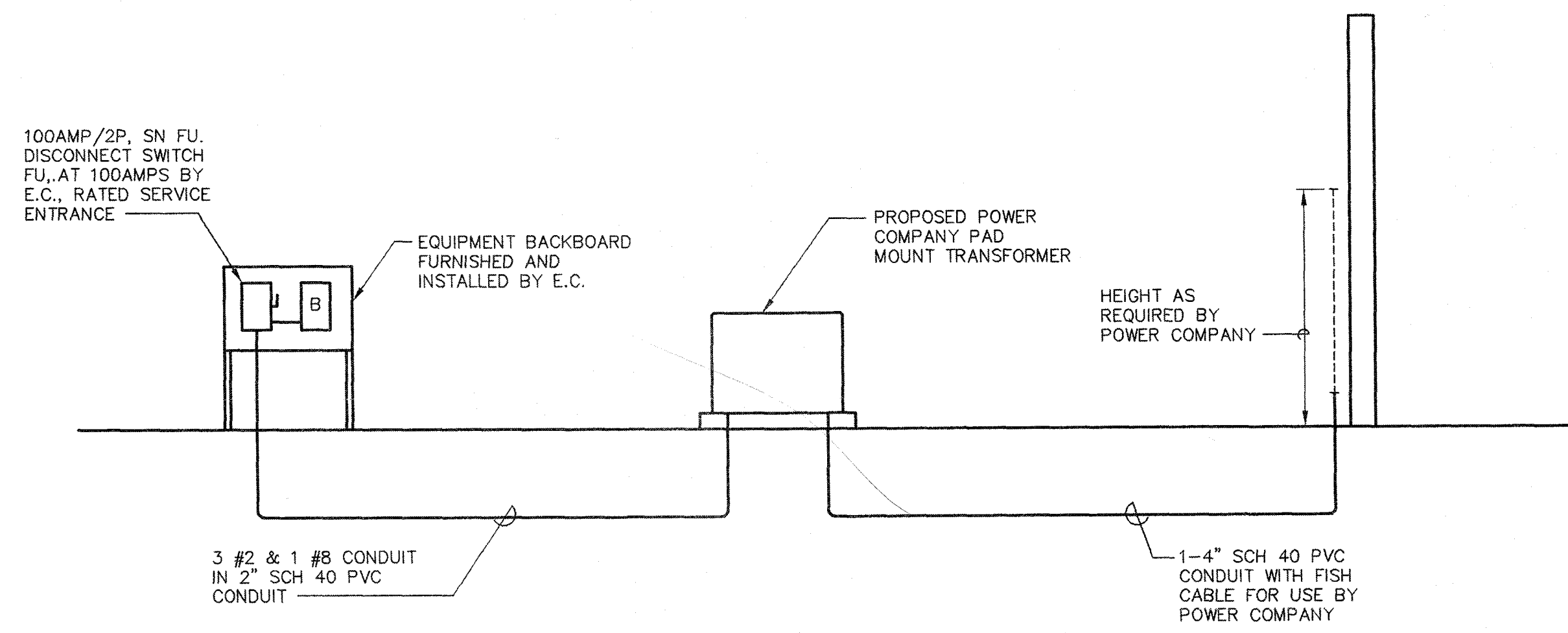
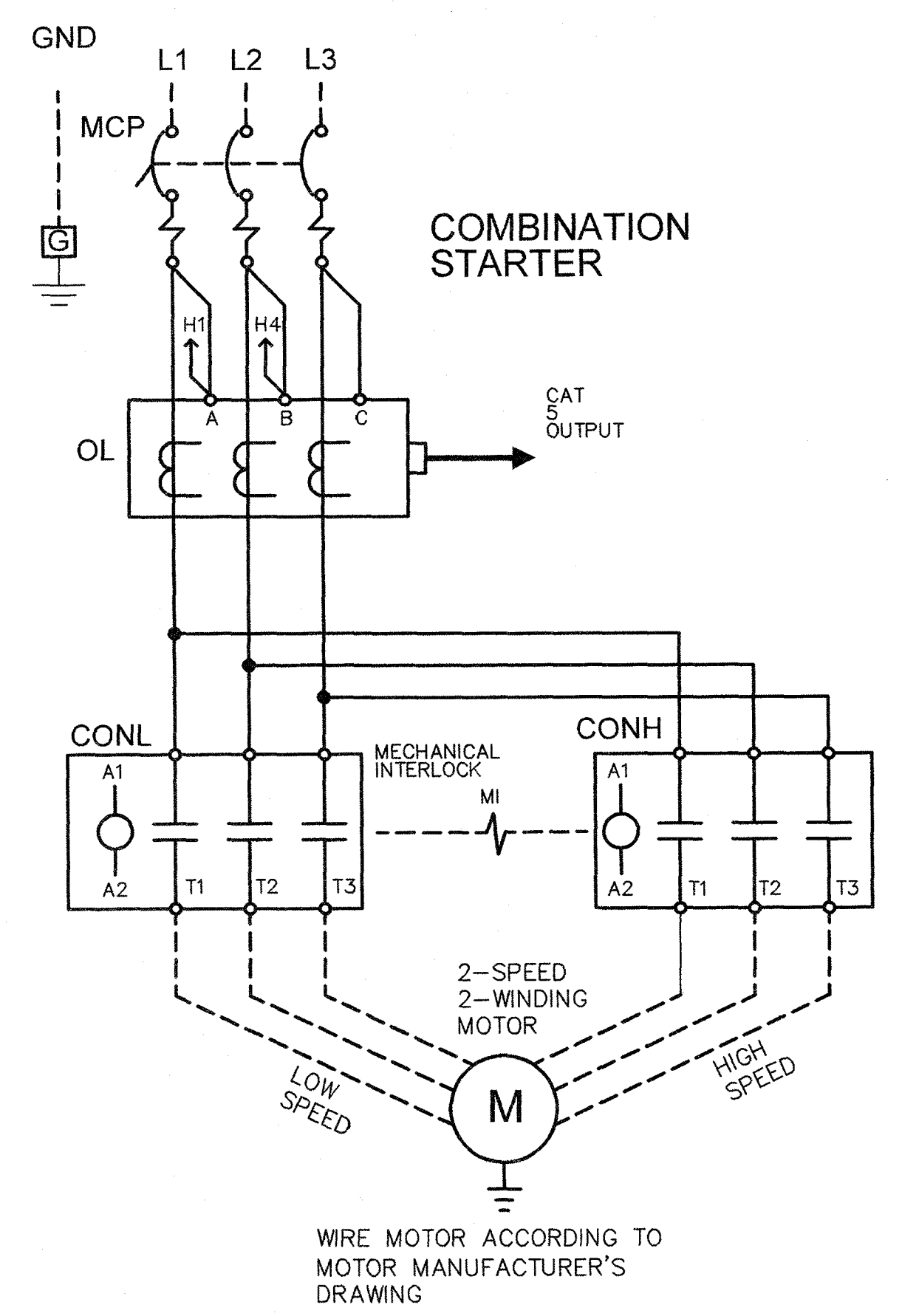
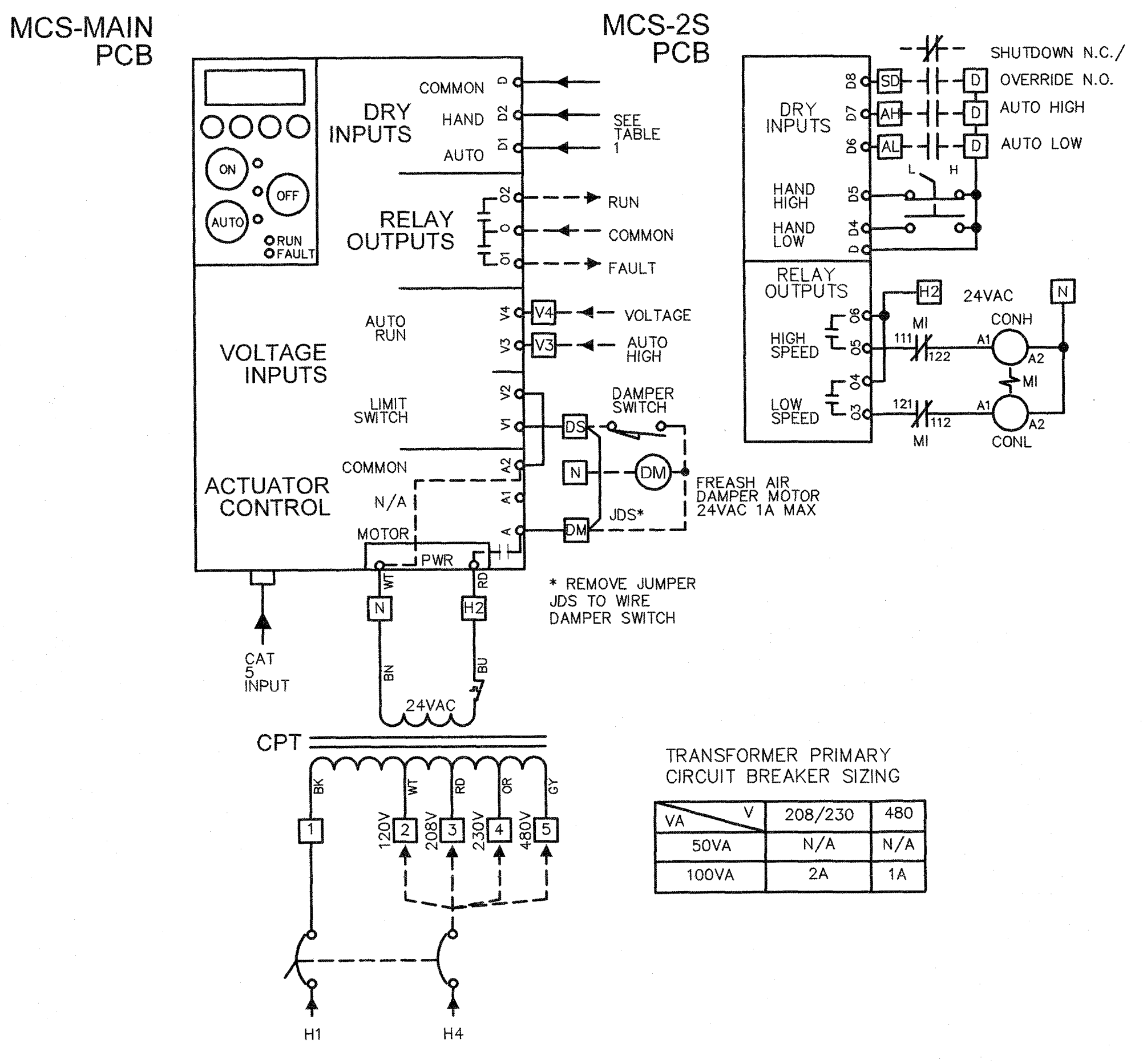


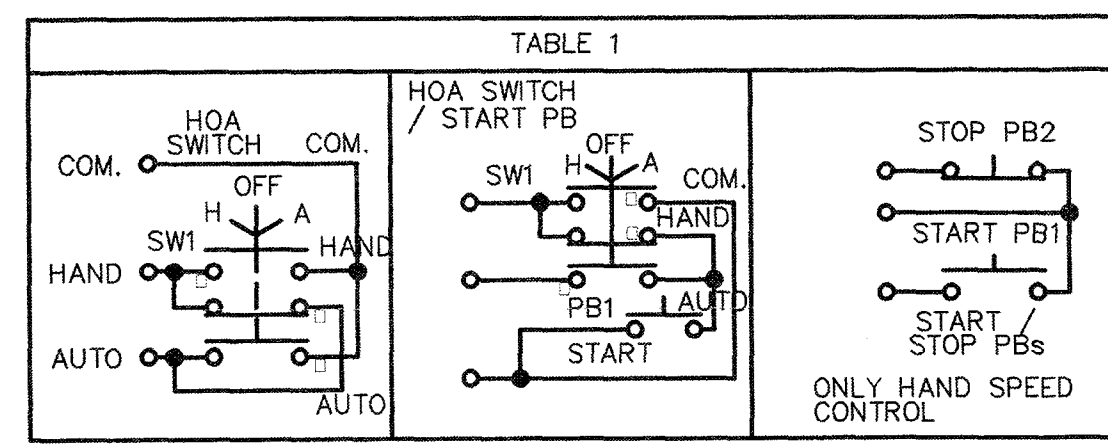
**BACKBOARD DETAIL (GROUND MOUNTED)**  
NO SCALE



**TANK MAIN WIRING DIAGRAM - 1 $\phi$ -3W-120/240 VOLTS**  
NO SCALE



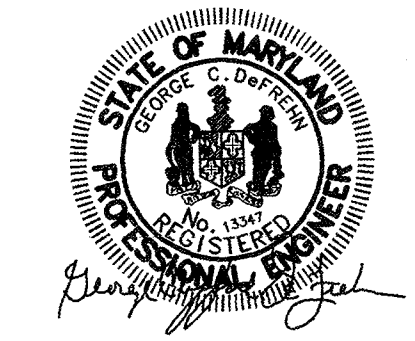
**SIDEWALL BELT DRIVE FAN WIRING DIAGRAM**  
NO SCALE



SIDEWALL BELT DRIVE FAN SCHEDULE													
MARK INFORMATION			FAN INFORMATION					MOTOR INFORMATION					
QTY	MARK	MODEL	VOLUME (CFM)	EXTERNAL SP (IN WG)	TOTAL SP (IN WG)	FAN RPM	OPERATING POWER (HP)	WEIGHT (LB.)	SIZE (HP)	V/C/P	ENCLOSURE	MOTOR RPM	WINDINGS
1	Mark 1	SBE-2H30-20	10,000	0.25	0.624	1,200	2.12	343	2.0	460/60/3	OP	1725-860	2

**SELECTED OPTIONS AND ACCESSORIES**  
 N O U L  
 A B C D E  
 D W D M M, WD-320-PB-32X32, G O O O O, N C O O O  
 S E E W H H C C, F O O O O, O / O S H A G r d.  
 M O O T A O O O F r O O O B O O  
 W O O O O O O, G O O O O O O 45 d O O O B i r d S O O O O  
 B O O O O O O G r O O O O F O O O O

**NOTE:**  
DO NOT SCALE DRAWING  
 Each contractor is to verify all existing conditions and all dimensions before beginning any work. Each contractor is to fully coordinate his work with that of others. REFER TO THE CONTRACT AND SPECIFICATIONS FOR ADDITIONAL REQUIREMENTS.



**PROFESSIONAL CERTIFICATION**  
 I HEREBY CERTIFY THAT THESE DOCUMENTS WERE PREPARED OR APPROVED BY ME, AND THAT I AM A DULY LICENSED PROFESSIONAL ENGINEER UNDER THE LAWS OF THE STATE OF MARYLAND, LICENSE NO. 13347, EXPIRATION DATE: 02-23-2017.  
 George C. Defrehn  
 DATE: 10-03-2016

CAD FILE: C:\Users\Bryomp\Bryomp\EastHillsEnergy\appdata\local\temp\AcPublish\_185211623 - E6.dwg  
 PLOT DATE/TIME: 10/3/2016 - 11:57am  
 LAST SAVE BY: Bryomp

NO.		BY	DATE	DESCRIPTION
bba Surveyors   Engineers   Planners Bennett, Weaver & Associates, LLC				
DRAWN:		BIP	DATE:	06/26/2016
CHECKED:		GCD	SCALE:	AS SHOWN
APPROVED:		GCD	COORD FILE:	14090
2014090				

TOWN OF WESTERNPORT  
 P.O. BOX 226  
 WESTERNPORT, MARYLAND 21562

WATER TANK & PUMP STATION  
 WESTERNPORT, ALLEGANY COUNTY, MARYLAND

DIAGRAM, DETAILS AND SCHEDULES  
 SHEET  
 E-6